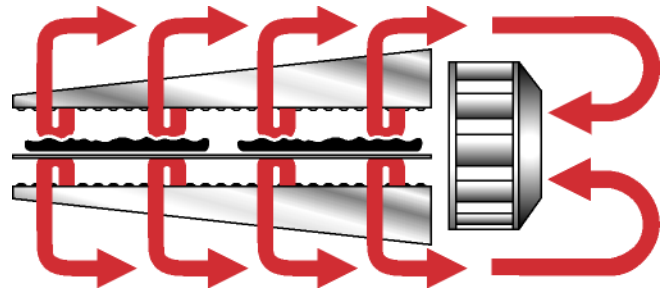




### Principle

Middleby Marshall PS Series conveyor ovens bake both faster and at a lower temperature than other ovens. Patented vertical columns of hot air move heat aerodynamically instead of using high temperatures. The streams of hot air remove the boundary layers of cool heavy air which tend to insulate the product. This gives very rapid baking without burning. All Middleby ovens are designed to cook a multitude of products including pizza, seafood, bagels, ethnic foods and more.



### Standard Features

- **Impingement PLUS!** low oven profile and dual air return
- 55"/1397mm-long cooking chamber
- 32"/813mm-wide, 90"/2286mm-long conveyor belt
- Stackable up to four units high
- Patented "Jet Sweep" impingement process that delivers constant heat to the chamber
- Microprocessor-controlled bake time/conveyor speed
- Customer-specific adjustable jet fingers that allow control of heat delivery
- Stainless steel front, sides and top
- Front-loading window with cool handle
- Reversible conveyor direction

### Optional Features

- Split belt - two 15"/381mm belts with individually-adjustable speed settings

### Conserves Energy

Middleby ovens provide very efficient heat transfer to product. Energy is conserved as air is recycled from heater to product, with minimum flue or vent loss.

### Cleanability

PS555 ovens are designed for easy cleaning. Removable parts include: crumb pans, end panels, air fingers, and a folding conveyor belt assembly.

### Easily Serviced

Control compartment is designed for quick and easy access. Primary electrical components are door-mounted.

### Warranty

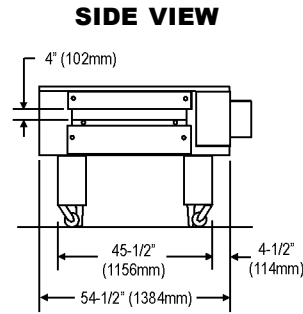
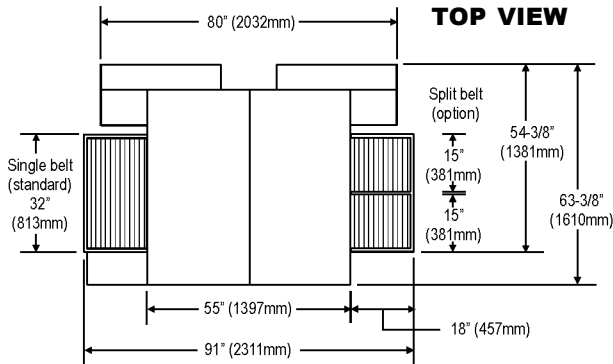
All PS555 models have a one year parts and labor warranty. Oven start-up and demonstration are included at no additional charge (USA only).

### Ventilation

Use of a ventilation hood is strongly recommended.

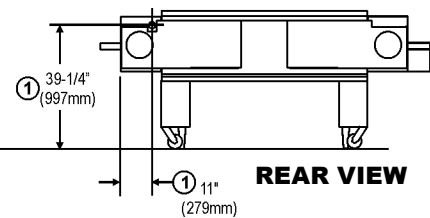
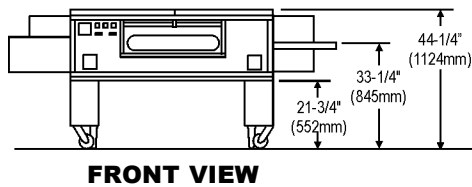
\* Patent pending



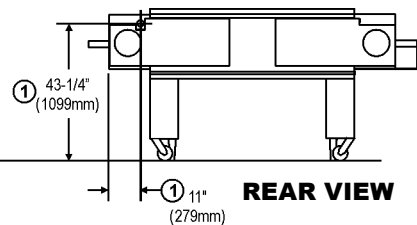
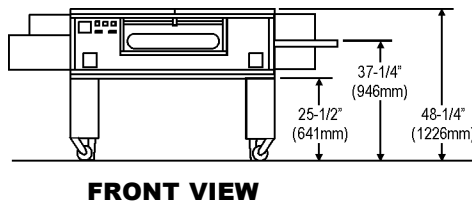


① Electrical Utility Connection

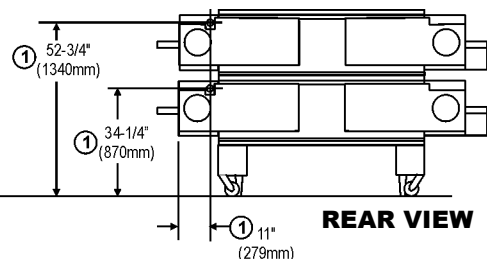
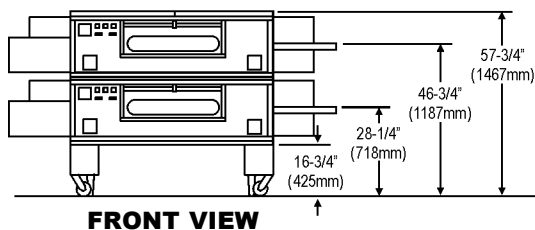
**PS555-1 Single Oven  
with 15" (381mm) leg extensions**



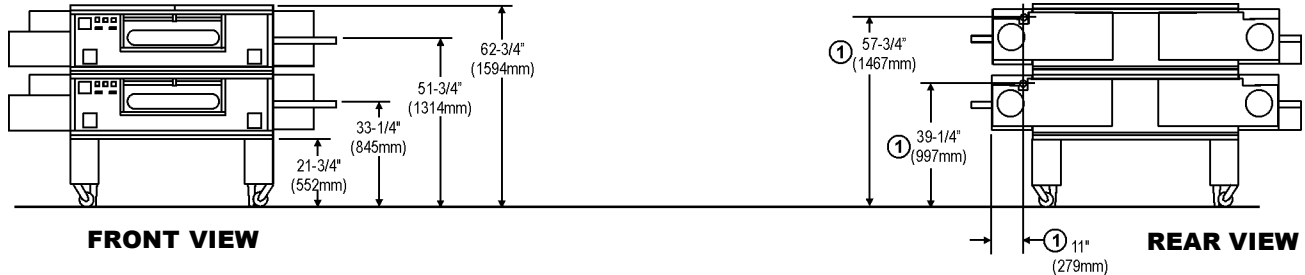
**PS555-1 Single Oven  
with 19" (483mm) leg extensions**



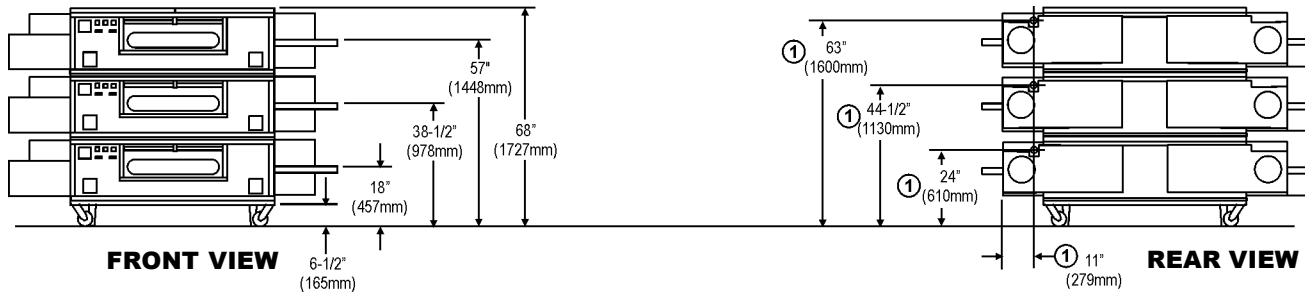
**PS555-2 Double Oven  
with 10" (254mm) leg extensions**



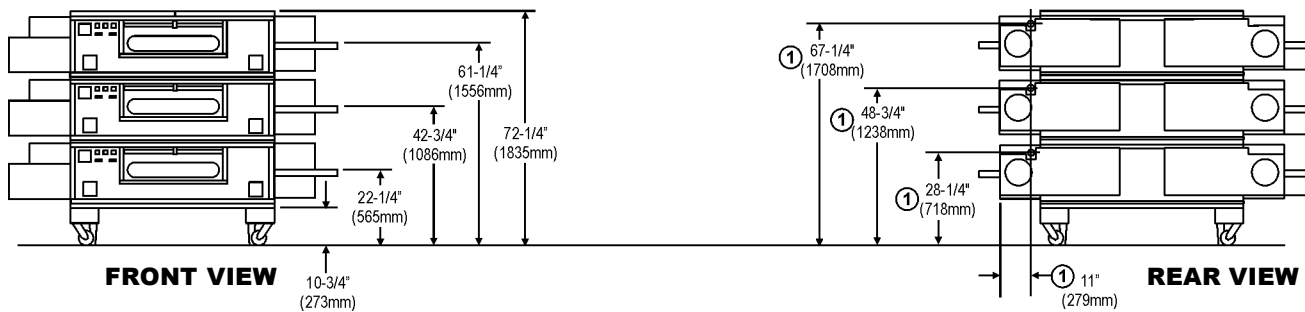
**PS555-2 Double Oven with 15" (381mm) leg extensions**



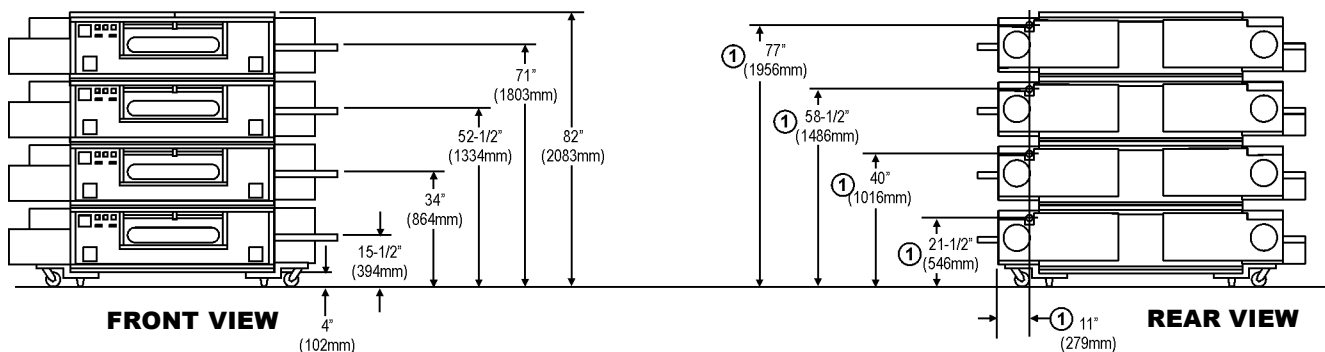
**PS555-3 Triple Oven without leg extensions**



**PS555-3 Triple Oven with 4" (102mm) leg extensions**



**PS555-4 Quad Oven with outriggers**










**RECOMMENDED MINIMUM CLEARANCES**

Rear of oven to wall	Control end of oven to wall	Non-control end of oven to wall
6" (152mm)	0" (0mm)	0" (0mm)

**GENERAL INFORMATION**

	Heating Zone	Baking Area	Belt Length	Conveyor Belt Width	Depth	Height	Max. Temp.	Bake Time Range	Ship Wt.	Ship Cube
PS555-1 with 15" (254mm) leg extensions	55" 1397mm	12.2 sq. ft. 1.13m <sup>2</sup>	91" 2311mm	1 x 32" (813mm) OR 2 x 15" (381mm)	63-3/8" 1584mm	44-1/4" 1124mm	550°F 288°C	2:40- 29:50	1250 lbs. 568kg	160 ft. <sup>3</sup> 4.5m <sup>3</sup>
PS555-1 with 19" (483mm) leg extensions	55" 1397mm	12.2 sq. ft. 1.13m <sup>2</sup>	91" 2311mm	1 x 32" (813mm) OR 2 x 15" (381mm)	63-3/8" 1584mm	48-1/4" 1226mm	550°F 288°C	2:40- 29:50	1250 lbs. 568kg	160 ft. <sup>3</sup> 4.5m <sup>3</sup>
PS555-2 with 10" (254mm) leg extensions	110" 2794mm	24.4 sq. ft. 2.27m <sup>2</sup>	91" 2311mm	1 x 32" (813mm) OR 2 x 15" (381mm)	63-3/8" 1584mm	57-3/4" 1467mm	550°F 288°C	2:40- 29:50	2500 lbs. 1135kg	320 ft. <sup>3</sup> 9.0m <sup>3</sup>
PS555-2 with 15" (381mm) leg extensions	110" 2794mm	24.4 sq. ft. 2.27m <sup>2</sup>	91" 2311mm	1 x 32" (813mm) OR 2 x 15" (381mm)	63-3/8" 1584mm	62-3/4" 1594mm	550°F 288°C	2:40- 29:50	2500 lbs. 1135kg	320 ft. <sup>3</sup> 9.0m <sup>3</sup>
PS555-3 without leg extensions	165" 4191mm	36.6 sq. ft. 3.40m <sup>2</sup>	91" 2311mm	1 x 32" (813mm) OR 2 x 15" (381mm)	63-3/8" 1584mm	68" 1727mm	550°F 288°C	2:40- 29:50	3750 lbs. 1703kg	480 ft. <sup>3</sup> 13.5m <sup>3</sup>
PS555-3 with 4" (102mm) leg extensions	165" 4191mm	36.6 sq. ft. 3.40m <sup>2</sup>	91" 2311mm	1 x 32" (813mm) OR 2 x 15" (381mm)	63-3/8" 1584mm	72-1/4" 1835mm	550°F 288°C	2:40- 29:50	3750 lbs. 1703kg	480 ft. <sup>3</sup> 13.5m <sup>3</sup>
PS555-4 with outriggers	220" 5588mm	48.8 sq. ft. 4.54m <sup>2</sup>	91" 2311mm	1 x 32" (813mm) OR 2 x 15" (381mm)	63-3/8" 1584mm	82" 2083mm	550°F 288°C	2:40- 29:50	5000 lbs. 2270kg	640 ft. <sup>3</sup> 18.0m <sup>3</sup>

**ELECTRICAL SPECIFICATIONS**

Version	Voltage	Phase	Freq.	Current Draw (per line) *				Rated Heat Input	Supply	Breakers
				L1	L2	L3	N			
 	208V	3	50/60 Hz	97.4A	88.8A	97.4A	-	32 kW	3 pole, 4 wire (2 hot, 1 gnd)	As per local codes
 	220-240V	3	50/60 Hz	83.0- 90.0A	75.0- 86.0A	83.0- 90.0A	-	29.3- 34.8 kW	3 pole, 4 wire (2 hot, 1 gnd)	As per local codes
 	480V	3	50/60 Hz	38.5A	38.5A	47.7A	9.2A	32 kW	4 pole, 5 wire (3 hot, 1 neut., 1 gnd)	As per local codes
	380V	3	50 Hz	48.6A	48.6A	57.8A	9.2A	32 kW	4 pole, 5 wire (3 hot, 1 neut., 1 gnd)	As per local codes

\* The current draw ratings shown above are average values for normal operation. The initial amperage draw on oven startup may exceed the listed value.

**ALL SPECIFICATIONS SUBJECT TO CHANGE WITHOUT NOTICE.**